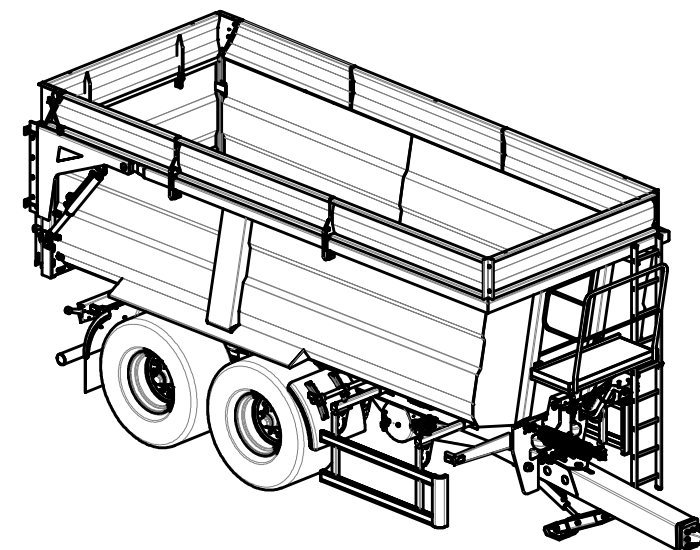
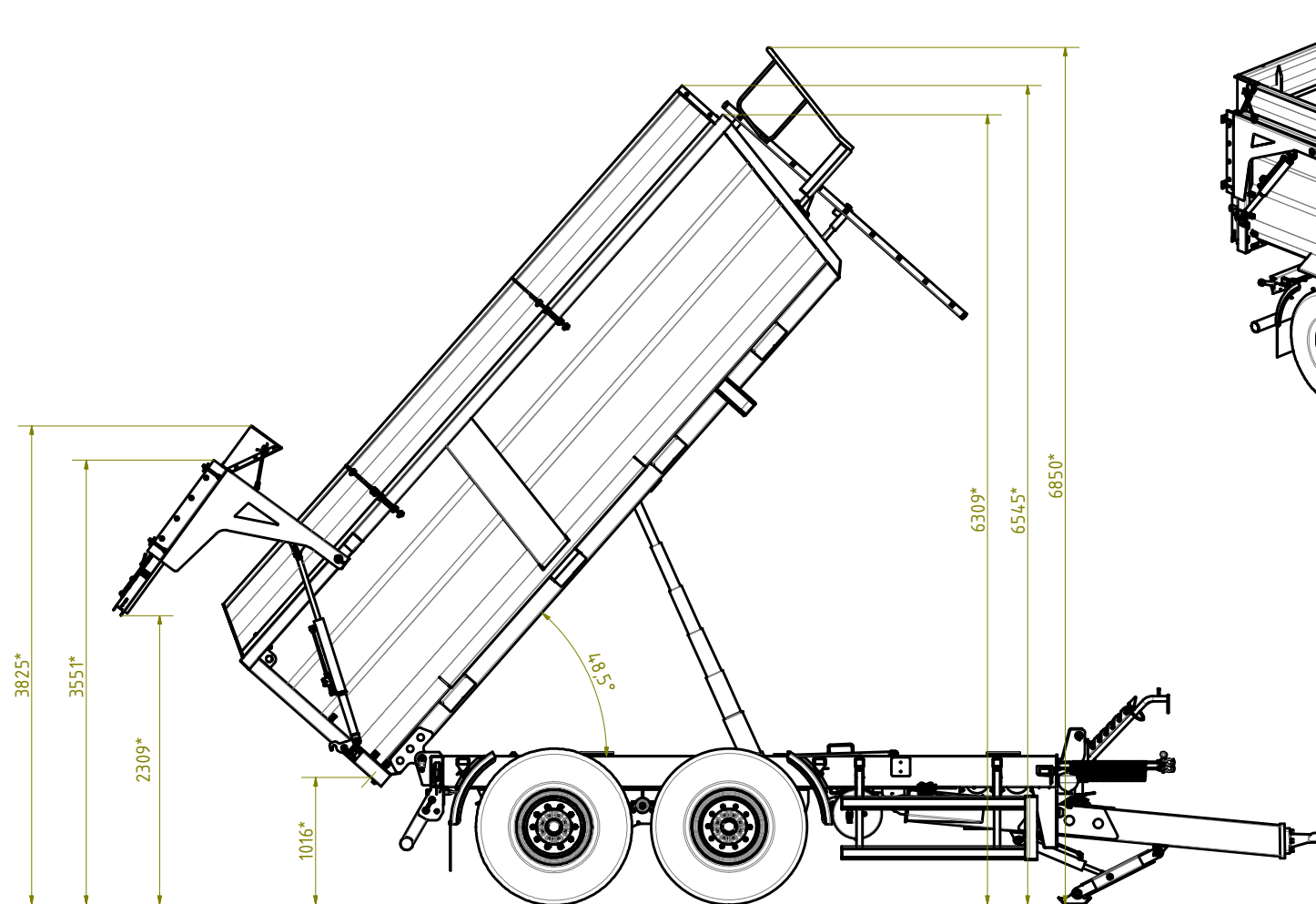


(*) VALUE FOR TYRES 560/60 R22.5
 (**) VALUE IN DEPEND OF EQUIPMENT AND TYRES

BASIC TECHNICAL PARAMETERS	
TYPE OF DRAWBAR SUSPENSION	HYDRAULIC
TYPE OF AXLE(S) SUSPENSION	MECHANIC
TRACK [mm]	1400
WHEEL BASE [mm]	1950
MAX. ALLOWED SPEED [km/h]	40
OIL REQUIREMENTS [l]	25,9
TYRES AND DISCS	ACCORDING TO CHART
CONNECT DIMENSION OF DISC [mm]	Ø 280/Ø 335
NUMBERS/ DIMENSIONS WHEEL SCREWS	10/M22x1,5
TYPE OF CONNECTION DEVICE	TOWING EYE Ø 50/K80
BASIC OUTSIDE DIMENSIONS	
LENGTH [mm]	7760
WIDTH [mm]	2550
HEIGHT [mm]: BASIC (*)	2772
WITH EXTENSION (*)	3172
HEIGHT OF CONNECT.DEVICE ABOVE GROUND [mm] (*)	294-730
DIMENSIONS AND PARAMETERS OF BODY FLOOR	
LENGTH [mm]	5500
WIDTH [mm]	2170/2270
BASIC HEIGHT OF SIDES [mm]	1400
HEIGHT OF EXTENSION [mm]	400
BODY VOLUME [m³]: BASIC	17,2
WITH EXTENSION	22,3
PLATE THICKNESS FLOOR/ SIDES [mm]	4/3
TIPP ANGLE TO BACK/ TO SIDE [°]	48,5/-
HEIGHT DURING TIPPING [mm]:	
TO BACK (WITHOUT/ WITH EXTENSION) (*)	6309/6545 (6850)
TO SIDE (WITHOUT/ WITH EXTENSION) (*)	-/-
WEIGHTS	
SERVICE (WITH/ WITHOUT EXT.) [kg] (**)	5140/5455
PAYLOAD (WITH/ WITHOUT EXT.) [kg] (**)	13360/13045
HIGHEST ALLOWED/ TECHNICAL PERMISSIBLE [kg]	18500/18500
MAX. DRAWBAR LOAD [kg]	2000



ALTERNATIVES OF USED TYRES			
TYRE	DISC	TYRE DIAMETER [mm]	TYRE WIDTH [mm]
560/60 R22.5	16.00x22.5	1247	567
600/50 R22.5	20.00x22.5	1173	631

DRAWN: ING. MOLVA	CONTROLLED: ING. PIKULA	TYPE NAME:	REVISION:
DATE: 27.05.2019		NS18.1	
PRODUCT:	REAR TIPPING SEMITRAILER	COMMERCIAL NAME:	NS18.1

